

ARNIKA

Washbasin tap

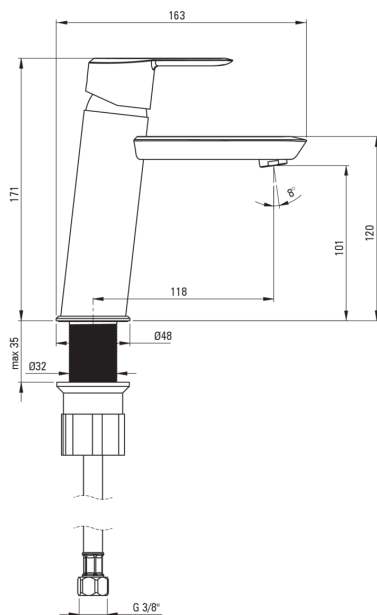


Product code: BQA_N20M

EAN: 05907650826422

Finish: nero

Warranty [years]: 7



Mixer

Finish	nero
Material	brass
Mixer type	mixer, single-handle
Flow class [l/min]	Z - 4-9 l/min
Acoustic group [dB]	I (x ≤ 20)
Installation method	standing
Total mixer height [mm]	171

Spout

Material	brass
Mixer spout range [mm]	118

Aerator

Aerator size	M22
Aerator type	silicone
Water flow reduction	to 9 l/min

Connecting hose

Length [mm]	450
Connection thread	M10
Installation thread	3/8"

Mixer cartridge

Ceramic cartridge size	35 mm
------------------------	-------

Features:

- Innovative, durable and easy to clean Nero coating
- The mixer is equipped with a stream aerator
- Silicone aerator for easy limescale removal
- The variety of colours gives many arrangement possibilities
- Design full of beauty and harmony
- Z flow class (4-9 l/min) allowing for water consumption reduction
- 45 cm connection hoses included
- The mixer body is made of the highest quality brass
- Cleaning agent for fixtures in all colors available
- Only the best materials, the quality of which has been confirmed by laboratory tests
- we recommend buying a universal plug in the color of the mixer